

- Brass construction.
- For single-hole installation.
- One-piece, self-contained ceramic disc valve which allows both volume and temperature setting.
- Temperature memory allows the faucet to be turned on and off at any temperature setting.
- 4-3/8" (111 mm) spout reach.
- Stationary spout.
- Metal grid drain with metal tailpiece.
- Flexible connections.
- 0.5 gal/min (1.9 l/min) maximum flow rate [max at 80 psi (5.5bar)]



**ADA** **CSA B651** **OBC**

### Codes/Standards

ASME A112.18.1/CSA B125.1

NSF/ANSI 61

NSF/ANSI 372

All applicable US Federal and State material regulations

DOE - Energy Policy Act 1992

California Energy Commission (CEC)

ADA

ICC/ANSI A117.1

CSA B651

OBC


### KOHLER® Faucet Lifetime Limited Warranty

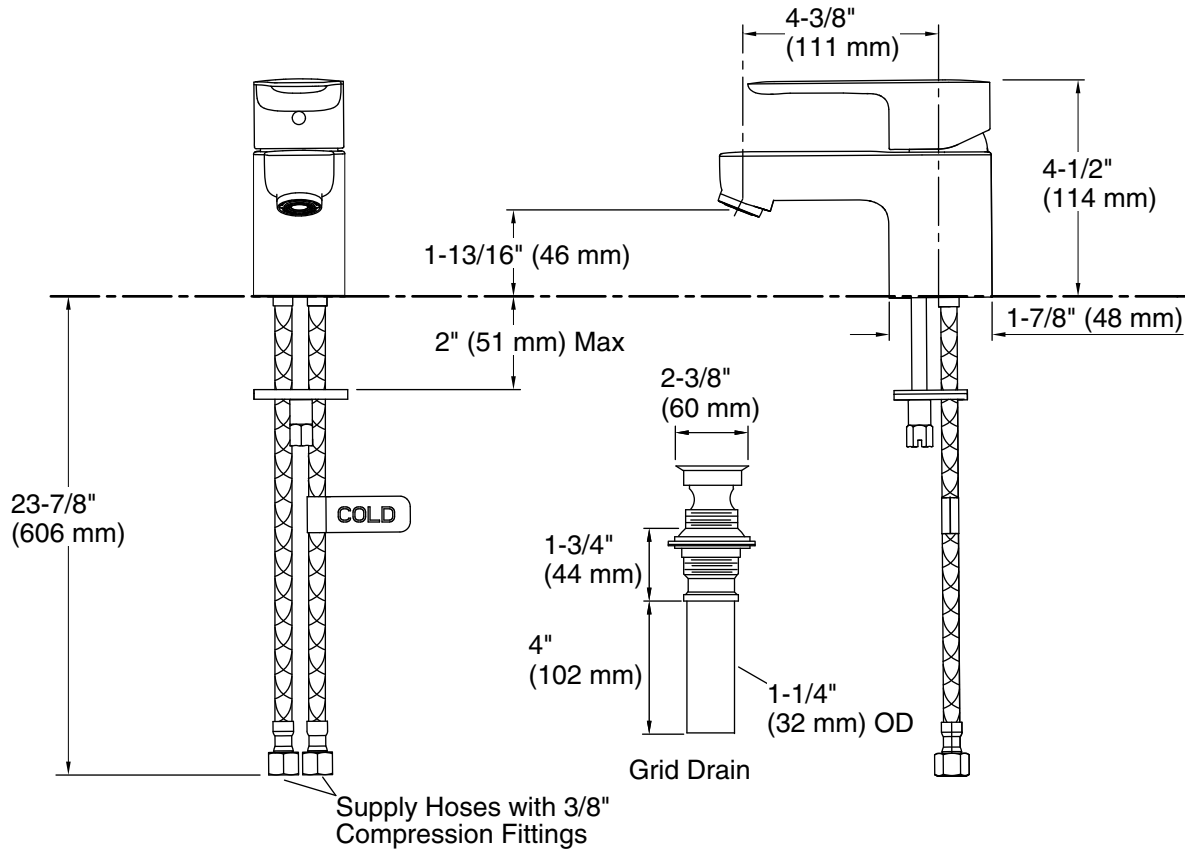
See website for detailed warranty information.

### Available Colors/Finishes

*Color tiles intended for reference only.*

#### Color Code Description

 CP Polished Chrome



## Technical Information

All product dimensions are nominal.

### Faucet:

Flow rate: 0.5 gal/min (1.9 l/min)

Pressure: 80 psi (5.5 bar)

Drain included: Yes

Drain with overflow: Yes

Drain tailpiece included: Yes

### Spout:

Spout reach: 4-3/8" (112 mm)

## Notes

Install this product according to the installation guide.

ADA, OBC, CSA B651 compliant when installed to the specific requirements of these regulations.